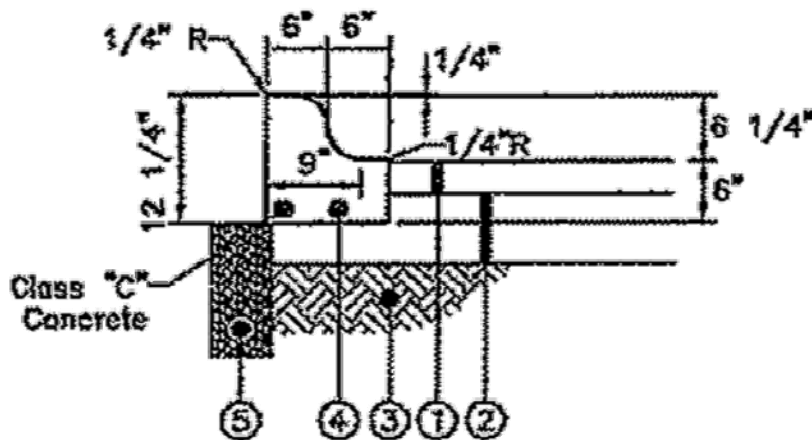


TYPICAL SECTION

- ① Item 448, 1-1/2" Asphalt Concrete, Surface Course
- ② Item Spec, 6" Roller Compacted Concrete (RCC) Base.
- ③ Item 204, Subgrade Compaction

TYPICAL HEAVY DUTY PAVEMENT SECTION
(DRIVE AISLES/PARKING)

Not to Scale



- ① Item 448, 1 1/2" Asphalt Concrete
- ② Item Spec, 6" Roller Compacted Concrete
- ③ Item 204, Subgrade Compaction
- ④ Item 609, 12" Concrete Tilt Out Curb
- ⑤ Item 605, 4" Pipe Underdrain
See Sheet 15 for location

12" CONCRETE TILT OUT CURB

Not to Scale