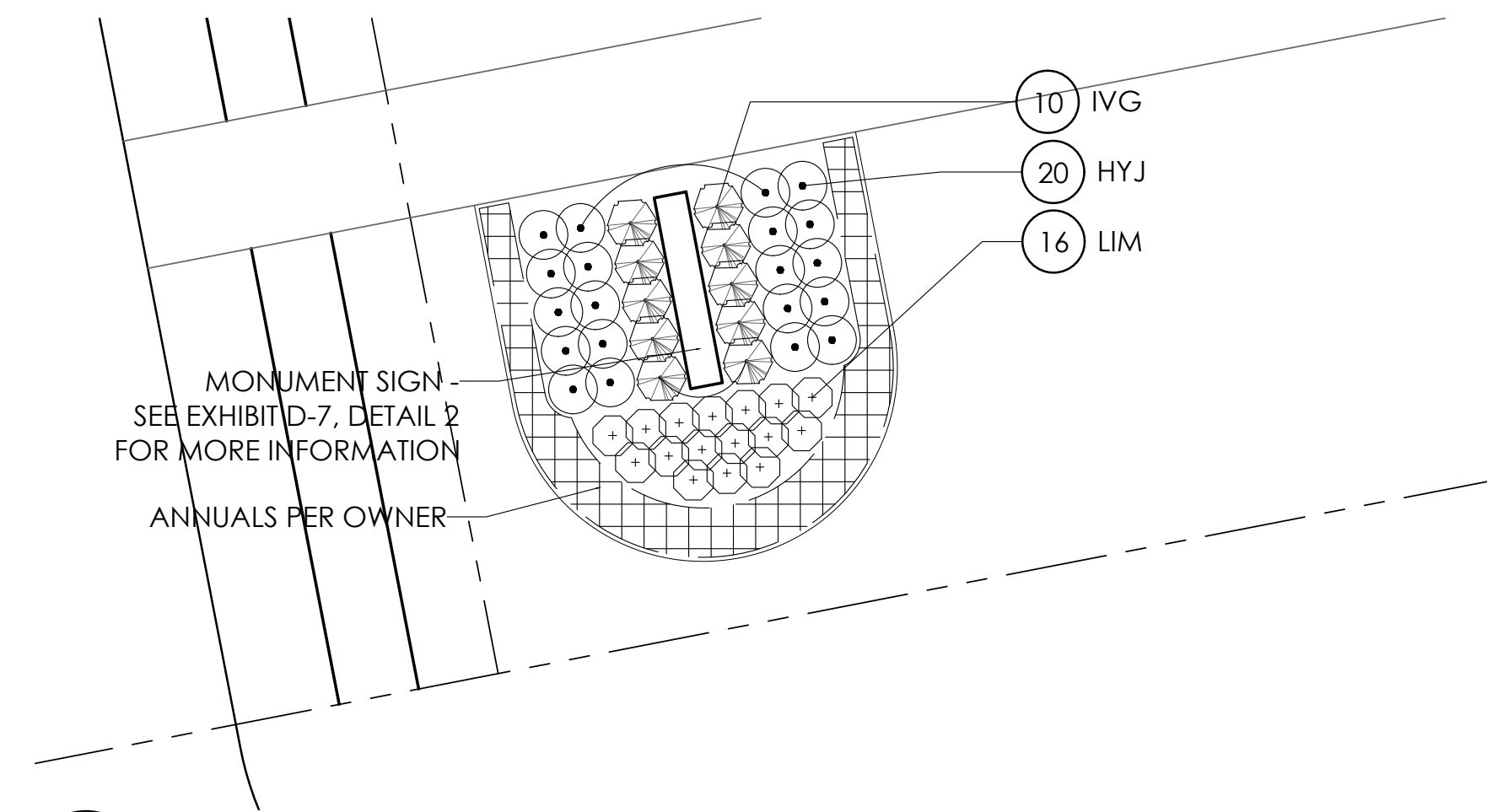
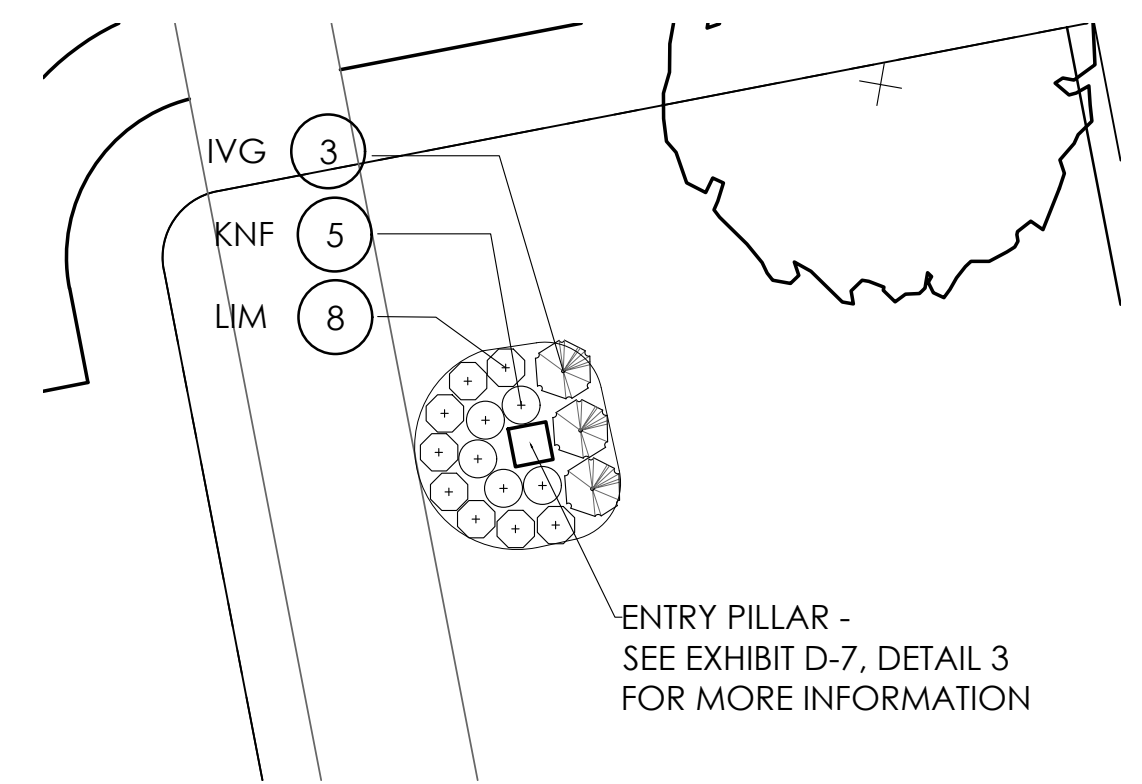


1 RWS SCREENING
SCALE: 1:30



2 SOUTH ENTRY PILLAR
SCALE: 1:10



3 WEST ENTRY PILLAR
SCALE: 1:10

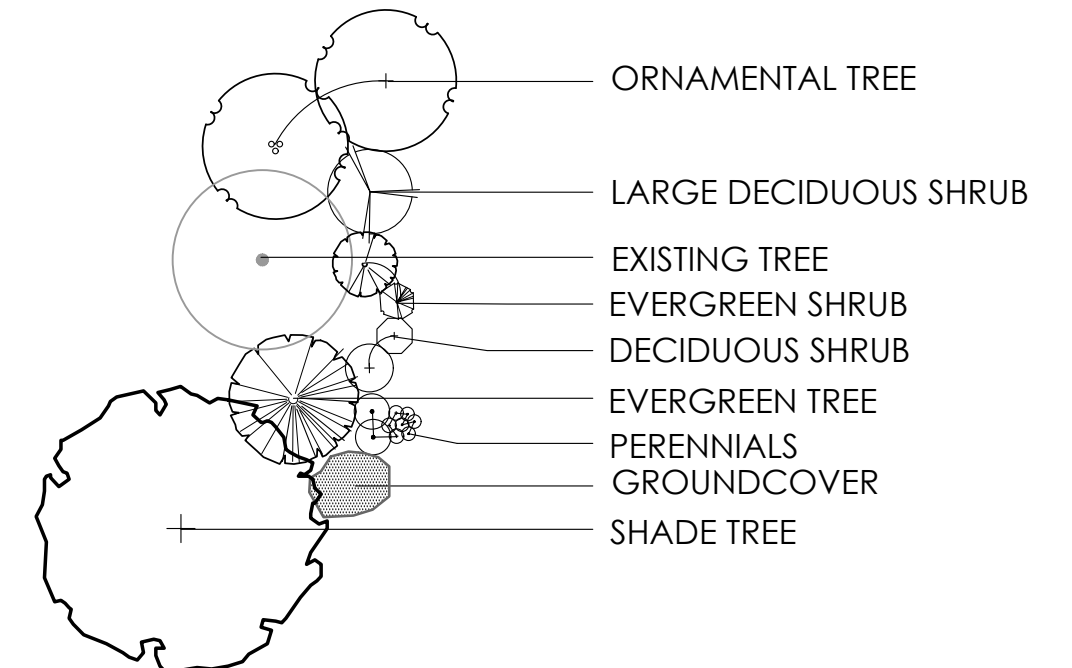
PLANT LIST

(CONTRACTOR RESPONSIBLE FOR ALL PLANTS SHOWN ON PLAN)

QTY	KEY	BOTANICAL NAME	COMMON NAME	SIZE	COND.	REMARKS
SHRUBS						
36	COS	CORNUS SERICEA 'CARDINAL'	CARDINAL REDTWIN DOGWOOD	18" -24" HGT.	CONT.	
12	HYD	HYDRANGEA QUERCIFOLIA 'ALICE'	ALICE OAKLEAF HYDRANGEA	18" -24" HGT.	CONT.	
20	HYJ	HYDRANGEA PANICULATA 'JANE'	LITTLE LIME PANICLE HYDRANGEA	18" -24" HGT.	CONT.	
13	IVG	ILEX GLABRA 'SHAMROCK'	SHAMROCK INKBERRY	18" -24" HGT.	CONT.	
14	PHO	PHYSCARPUS OPULIFOLIUS 'JEFAM'	AMBER JUBILEE NINEBARK	18" -24" HGT.	CONT.	
54	VIB	VIBURNUM LANTANA 'MOHICAN'	MOHICAN VIBURNUM	18" -24" HGT.	CONT.	
PERENNIALS AND ORNAMENTAL GRASSES						
87	CAG	CALAMAGROSTIS ACUTIFLORA 'KARL FOERSTER'	KARL FOERSTER FEATHER REED GRASS	NO 2.	CONT.	
5	KNF	KNIPHOFIA FLAMENCO	FLAMENCO RED HOT POKER	NO 1.	CONT.	
24	LIM	LIRIOPE MUSCARI 'BIG BLUE'	BIG BLUE LILYTURF	NO 1.	CONT.	

PLANT KEY TYPICALS

SEE PLANT LIST FOR SPECIFIC PLANT SPECIES



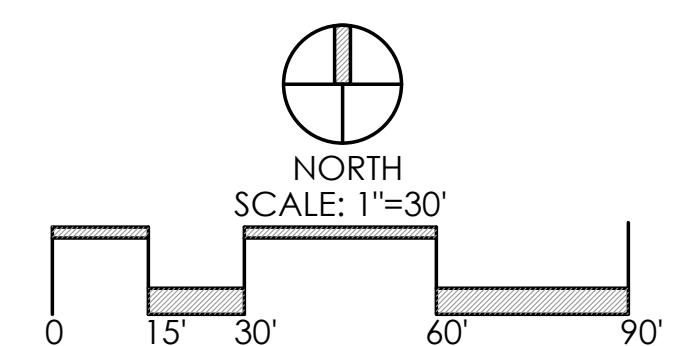
LANDSCAPE ENLARGEMENT- RWS SCREENING AND ENTRY FEATURES

EXHIBIT D-6

HOLLYBROOK

PREPARED FOR KIRAN BASIREDDY

DATE: 5.20.24



Faris Planning & Design

LAND PLANNING LANDSCAPE ARCHITECTURE
4876 Cemetery Road Hilliard, OH 43026
p. (614) 487-1964 www.farisplanninganddesign.com